



CDB ENGINEERING SPA

COMPACT PISTON MANIFOLD

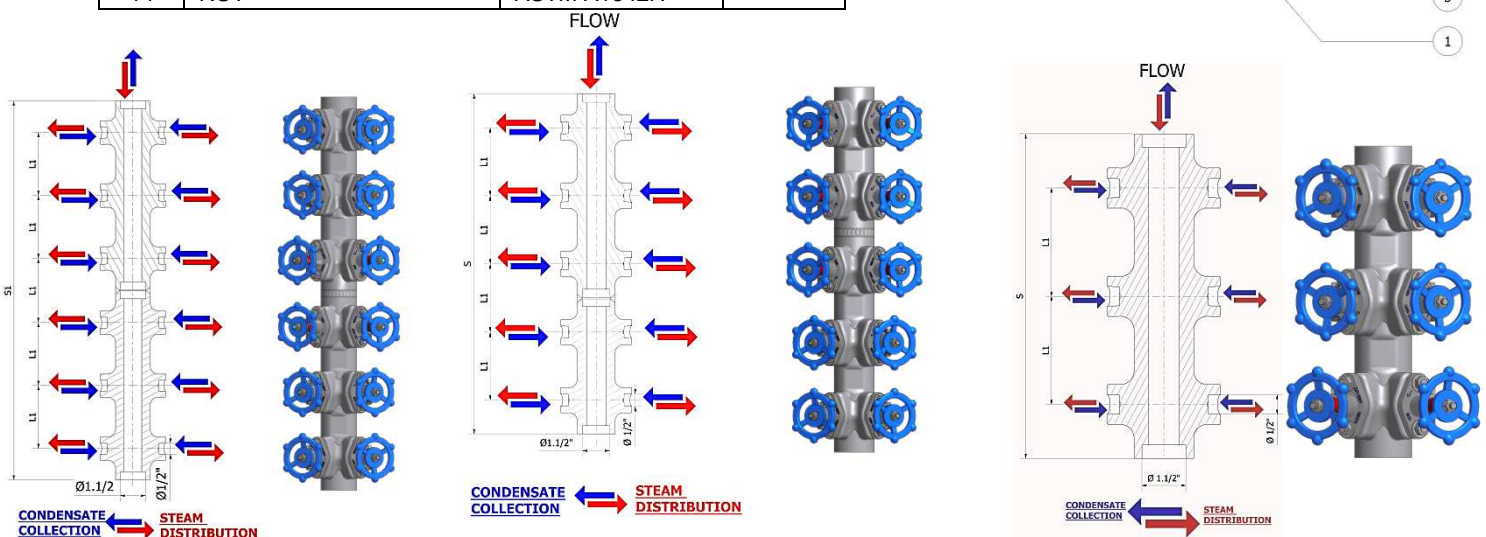
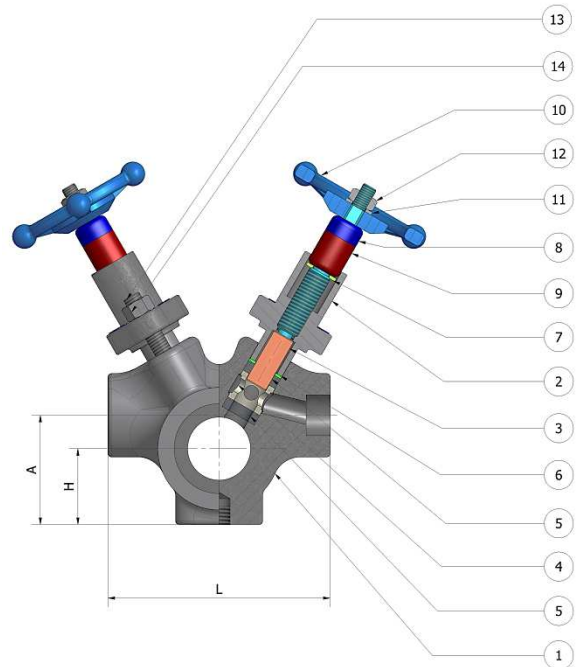
MFN 6-10-12

For Steam Distribution or Condensate Collection

Limiting Conditions	
Rating	ANSI 600
PMA	100 bar
TMA	280°C
Run connections	1.½" - 2" (Only BW Connection)
Branch Connections	½" - ¾"

Connections	
Screwed	ASME B1.20.1 (NPT) BS21 (BSP)
Socket weld	ASME B16.11
Flanged	ASME B16.5 – UNI - DIN
Butt weld	ASME B16.25

POS	DESCRIPTION	MATERIAL	SPARE
1	BODY	ASTM A105N/LF2	
2	BONNET	ASTM A105N/LF2	
3	PISTON	SS 304	
4	LANTERN	SS 304	
5	PISTON GASKET	GRAPHITE	
6	PISTON WASHER	SS 304	
7	BUSHING	SS 416	
8	CLOSE INDICATOR (BLUE)	VITON	
9	CLOSE INDICATOR (RED)	VITON	
10	HANDWELL	ASTM A105N/LF2	
11	HANDWELL WASHER	SS 304	
12	HANDWELL NUT	SS 304	
13	STUD BOLT	ASTM A193 B7	
14	NUT	ASTM A1942H	



Dimensions						
Run conn.	S	S1	L	L1	A	Kg
6	360	-	120	120	59	15
10	360	600	120	120	59	25
12	360	722	120	120	59	30



CDB Engineering S.P.A.