



DUPLIX BASKET FILTERS "FBD"

SWITCH OVER TROUGH 3 WAY BALL VALVES

CDB engineering fabricated duplex basket strainers have been specifically designed to meet all customer requirements including for high pressure applications.

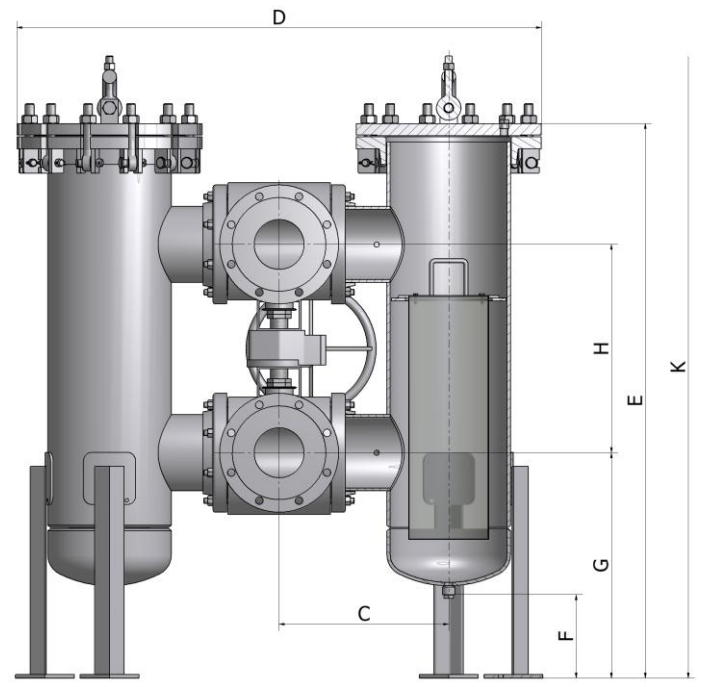
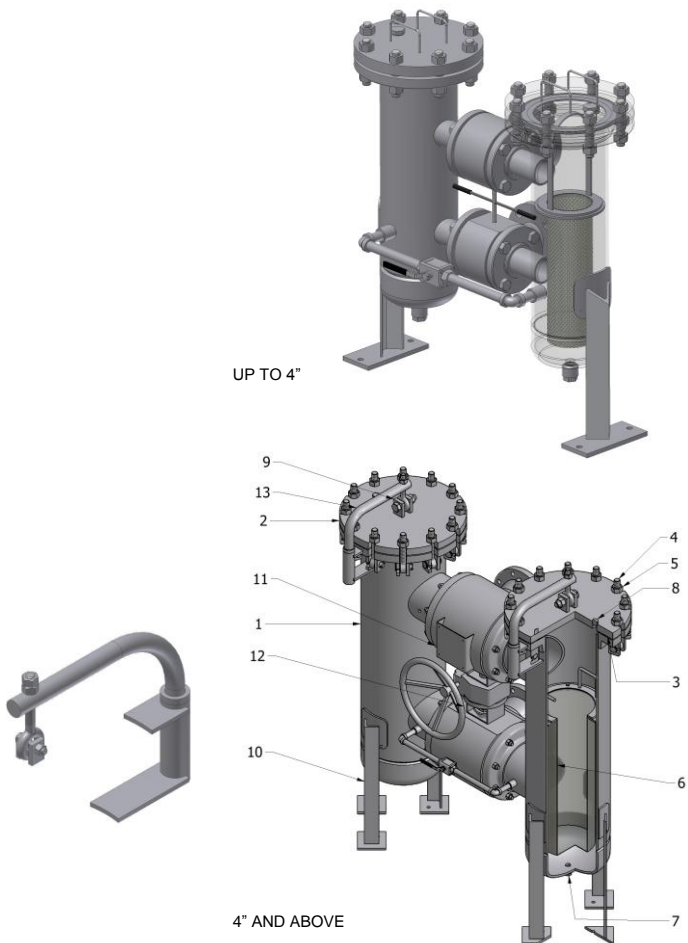
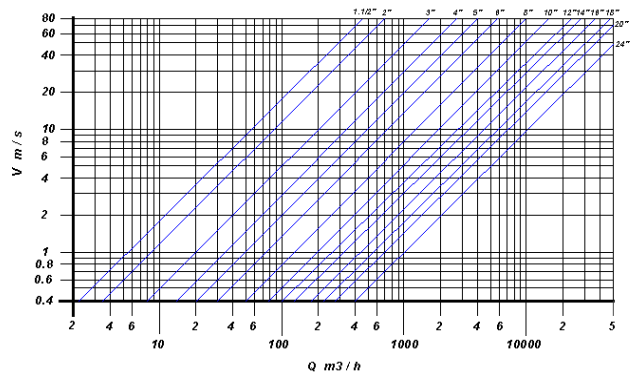
Designed and fabricated to ASME VIII Div.1 as standard but can also be supplied to other pressure vessel codes. I.e. ASME B31.3 etc.

Standard features include low pressure drops at high velocities, stainless steel perforated baskets as standard, vents and drains with the possibility to supply davit lifts, quick open closures, DP gauges.

We are also able to manufacture against customer requests in all types of sizes & materials.

In addition to all features of a simplex filter, a duplex filter will have the additional advantage to allow maintenance without interrupting the process flow.

POS.	DESCRIPTION	MATERIALS	Spare	NOTE
1	Body	ASTM A106		
2	Cover	ASTM A105		
3	Gasket	316 / GRAPHITE	X	
4	Studs	ASTM A193 B7		
5	Nuts	ASTM A194 2H		
6	Screen	Stainless steel	x	
7	Drain	ASTM A105		Screwed 3/4" NPT
8	Vent	ASTM A105		Screwed 3/4" NPT
9	Lifting eyes	CARBON STEEL		For cover only
10	Legs	CARBON STEEL		
11	BALL VALVES	A105/F6		
12	lever	C.S.		
13	DAVIT	C.S.		OPTIONAL



Size (Inches)	C	D	E	F	G	H	K
1 1/2"	330	914	965	100	279	530	1524
2"	337	925	991	100	279	560	1550
3"	356	965	1105	100	279	620	1700
4"	438	1232	1197	100	305	670	1900
6"	559	1524	1454	100	330	810	2362
8"	650	1835	1867	100	381	1110	3200

CDB Engineering reserve the right to carry out any necessary modification without prior notice