



**DUPLEX BASKET FILTERS "FBD6"**

**SWITCH OVER TROUGH 6 WAY VALVE SYSTEM**

**CDB engineering** fabricated duplex basket strainers have been specifically designed to meet all customer requirements including for high pressure applications.

Designed and fabricated to ASME VIII Div.1 as standard but can also be supplied to other pressure vessel codes. I.e. ASME B31.3 etc. Standard features include low pressure drops at high velocities, stainless steel perforated baskets as standard, vents and drains with the possibility to supply davit lifts, quick open closures, DP gauges.

We are also able to manufacture against customer requests in all types of sizes & materials.

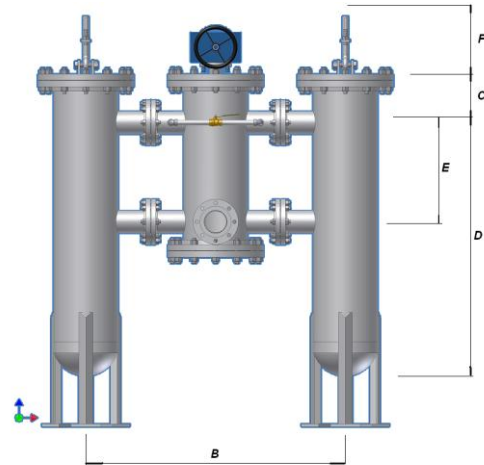
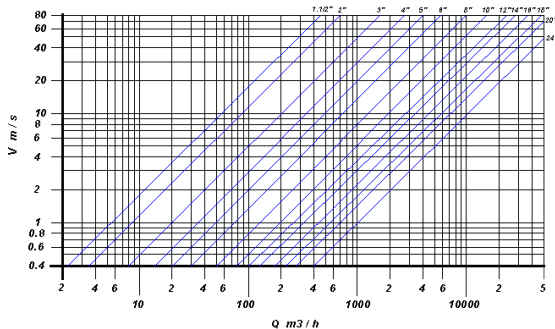
In addition to all features of a simplex filter, a duplex filter will have the additional advantage to allow maintenance without interrupting the process flow.

DESCR.	MAT.	spare
Body	C.S.	
Cover	A105N	
Gasket	SW	X
Studs	A193B7	
Nuts	A194 2H	
Screen	SS304	x
Perf. Plate	SS304	
Mesh	SS304	
Drain	A105N	
Vent	A105N	
Lifting eyes	C.S.	
Legs	C.S.	
Davit	C.S.	
valves	C.S.	

\*optional



CONNECTIONS	
Buttweld	Asme B16.25
Flanged	Asme b16.5



Size	8"	10"	12"	14"	16"	18"	20"	24"
A	559	635	737	813	864	965	1051	1168
B	1270	1626	1829	1930	2134	2388	2642	3099
C	305	330	356	457	508	508	610	711
D	889	991	1118	1270	1372	1422	1626	1930
E	584	660	762	813	864	914	1016	1219
F	1500	1650	1830	2185	2400	2450	2850	3350
Kg	154	272	349	440	617	635	870	997

**CDB Engineering reserve the right to carry out any necessary modification without prior notice**