



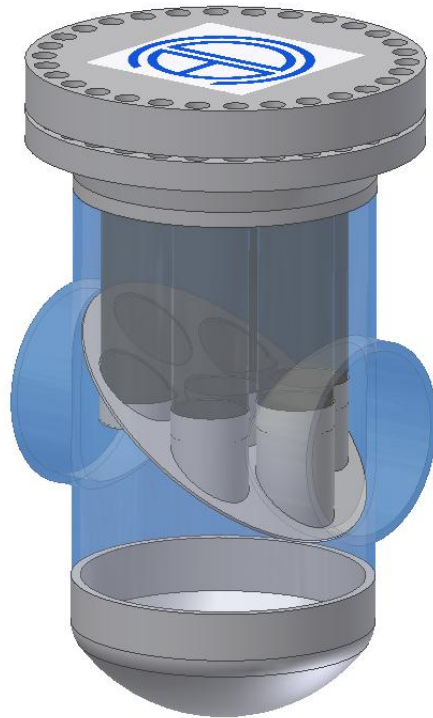
HIGH PRESSURE DROP BASKET FILTER “FBH”

*CDB engineering fabricated multicartridge filter have been specifically designed to meet all customer requirements including for high pressure applications.. suitable for separation of the finest impurities in gases and liquids
 Designed and fabricated to ASME VIII Div.1 as standard but can also be supplied to other pressure vessel codes. I.e. ASME B31.3 etc.
 Standard features include low pressure drops at high velocities, stainless steel perforated baskets as standard, vents and drains with the possibility to supply davit lifts, quick open closures, DP gauges.
 We are also able to manufacture against customer requests in all types of sizes & materials.*

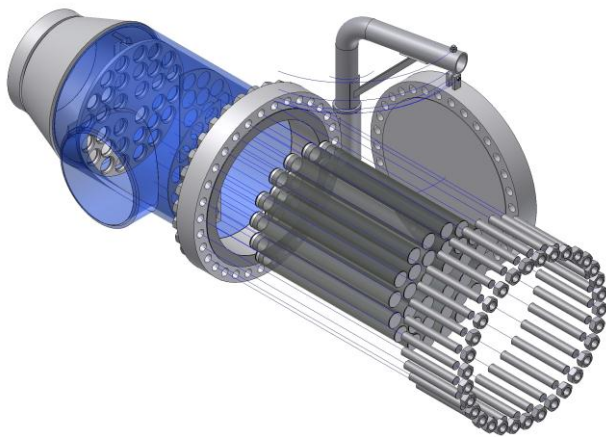
DESCR.	MAT.	spare
Body	C.S./S.S.	
Cover	CS/SS	
Gasket	SW	X
Studs	A193B7	
Nuts	A194 2H	
Screen	SS/ P.P.	x
Drain	CS/SS	
Vent	CS/SS	
Lifting eyes	C.S.	
Legs	C.S.	
Davit*	C.S.	



CONNECTIONS	
Buttweld	Asme B16.25
Flanged	Asme b16.5



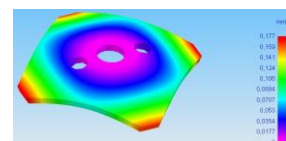
FBHX



FBHL

High strength filtering elements suitable to withstand pressure drop up to 40 bar

F.E.M. ANALYZED



CDB Engineering reserve the right to carry out any necessary modification without prior notice