



## FORGED BASKET FILTERS "FBM"

**CDB engineering** fabricated simplex filters have been specifically designed to meet all customer requirements including for high pressure applications. Designed and fabricated to ASME VIII Div.1 as standard but can also be supplied to other pressure vessel codes. I.e. ASME B31.3 etc. Standard features include low pressure drops at high velocities, stainless steel perforated baskets as standard, vents and drains with the possibility to supply davit lifts, quick open closures, DP gauges.

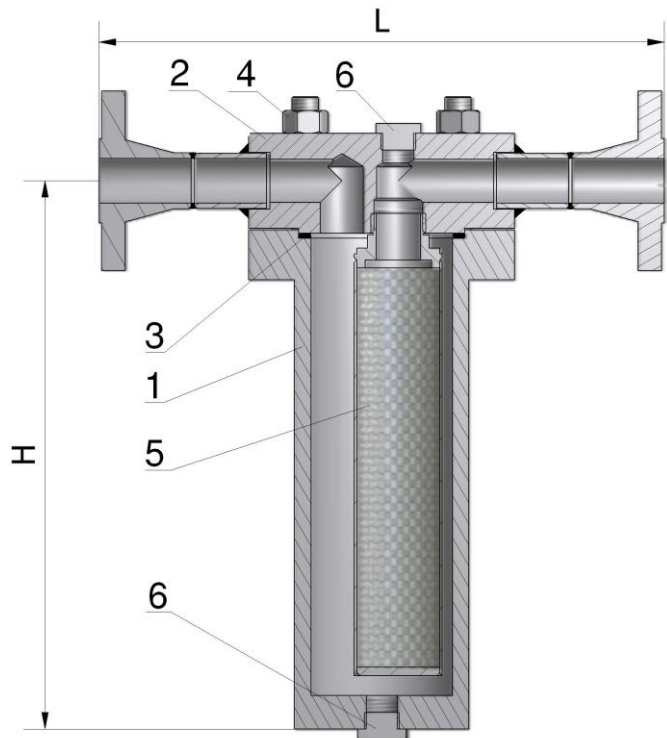
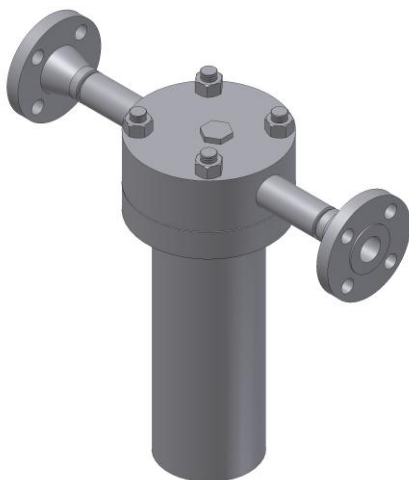
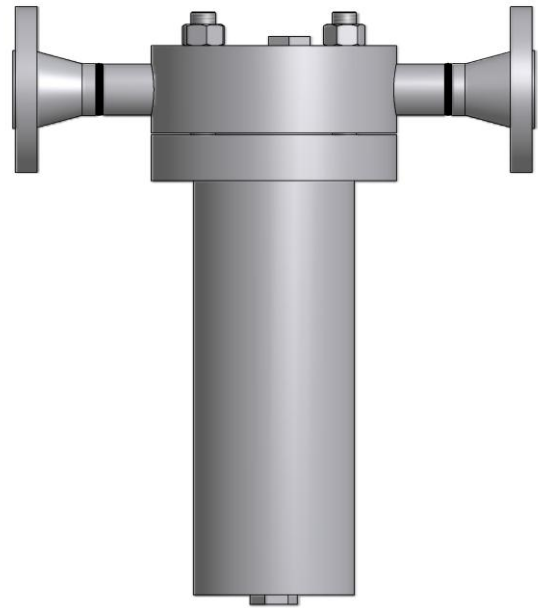
We are also able to manufacture against customer requests in all types of sizes & materials.

Simplex filters are a simple and efficient system to protect vital plant equipment such as pumps, compressors, heat exchangers, flowmeter, etc.

POS.	DESCR.	MAT.	spare
1	Body	C.S.	
2	Cover	A105N	
3	Gasket	SW	X
4	bolting	A193B7/ A194 2H	
5	screen	ss	X
6	Drain/Vent	A105N	

CONNECTIONS	
Socket weld - screwed	Asme B16.11 Asme b1.20.1
Flanged	Asme b16.5

Size	½"	¾"	1"	1.½"	2"
L	260	280	300	410	420
H	400	400	400	500	550
Weight (kg)	20	21	23	25	27



CDB Engineering reserve the right to carry out any necessary modification without prior notice