



SELF CLEANING FILTERS "FBSC"

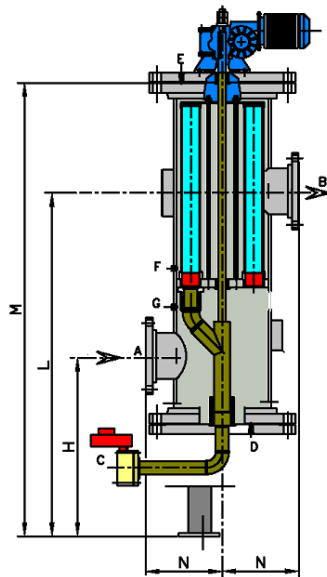
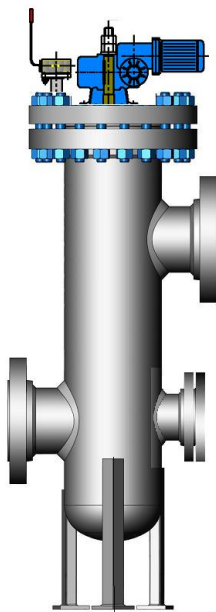
CDB engineering fabricated self cleaning filters have been specifically designed to meet all customer requirements including for high pressure applications.

Designed and fabricated to ASME VIII Div. 1 as standard but can also be supplied to other pressure vessel codes. I.e. ASME B31.3 etc.

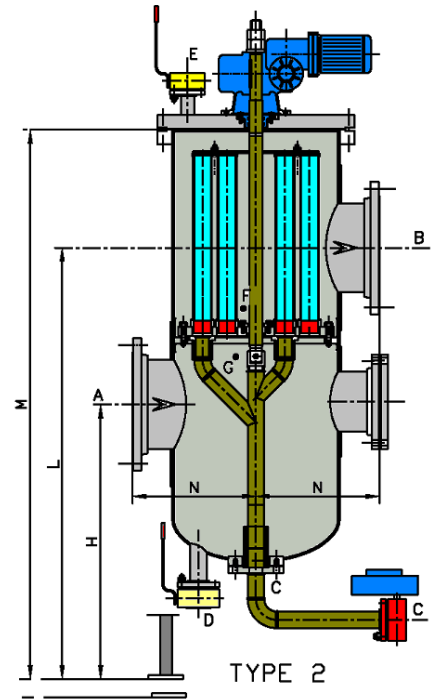
Standard features include low pressure drops at high velocities, stainless steel perforated baskets as standard, vents and drains with the possibility to supply davit lifts, quick open closures, DP gauges.

We are also able to manufacture against customer requests in all types of sizes & materials.

DESCR.	MAT.
Body	A106/ss304
Cover	A105N/F304
Gasket	SW 304/graph.
Studs	A193B7/b8
Nuts	A194 2H/Gr8
cartridges	SS304/ppa/exc.
Drain	A105N/f304
Legs	C.S.
Fluid water	



TYPE 1



TYPE 2

CONNECTIONS	
Buttweld	Asme B16.25
Flanged	Asme b16.5

Included in the supply: box control-pneumatic actuated drain valve – differential pressure switch – motor electrical equipment ip55

Flow rate and dimensions to be considered applicable until 250 μ

Available ratio: 20-35-50-75-100-125-150-175-200-225-250.....2000 Max available flow 10000 m3/h

TYPE	MODEL	WEIGHT c.a. Kg.	MAX FLOW m ³ /h (<50 μ)	MAX FLOW m ³ /h (>100 μ)	Filtering Area(cm ²)	IN/OUT MAX (>100 μ)	IN/OUT MAX (>50 μ)	H	L	M	N
1	SCF 06-12 C05	350	100	160	6.123	6"	5"	580	1080	1405	250
1	SCF 06-14 C08	450	140	270	9.797	8"	6"	653	1253	1650	330
1	SCF 08-16 C10	500	175	300	12.246	8"	8"	653	1253	1650	330
1	SCF 10-20 C16	700	280	470	19.594	12"	10"	895	1415	1815	410
2	SCF 12-24 C21	800	370	620	25.717	14"	12"	1000	1570	2000	450
2	SCF 14-28 C24	900	420	700	29.390	14"	12"	1000	1700	2130	550
2	SCF 16-32 C31	1300	550	750	37.963	16"	14"	1000	1700	2130	550
2	SCF 18-36 C40	1800	710	920	48.984	18"	16"	1100	1800	2250	600
2	SCF 20-44 C65	2500	1150	1750	79.600	20"	18"	1200	1900	2330	650
2	SCF 24-48 C85	2900	1500	2300	104.091	24"	20"	1250	2050	2550	900

CDB Engineering reserve the right to carry out any necessary modification without prior notice