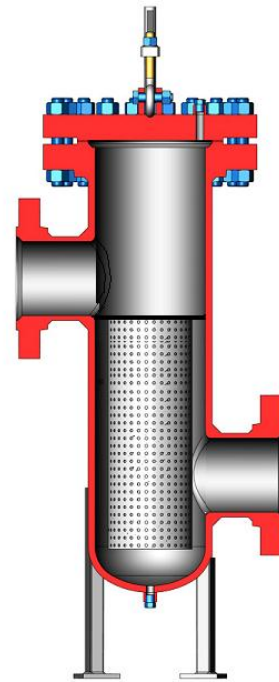




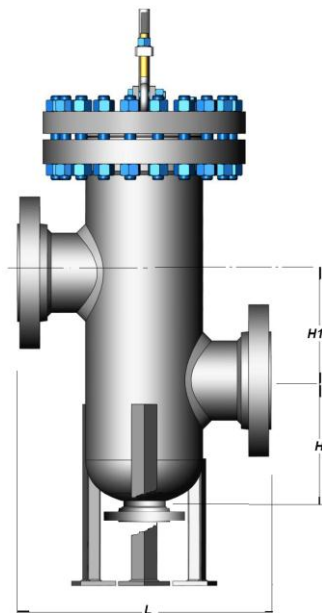
OFFSET BASKET FILTERS "FBZ"

CDB engineering fabricated simplex filter have been specifically designed to meet all customer requirements including for high pressure applications.. suitable for separation of the finest impurities in gases and liquids
 Designed and fabricated to ASME VIII Div.1 as standard but can also be supplied to other pressure vessel codes. I.e. ASME B31.3 etc.
 Standard features include low pressure drops at high velocities, stainless steel perforated baskets as standard, vents and drains with the possibility to supply davit lifts, quick open closures, DP gauges.
 We are also able to manufacture against customer requests in all types of sizes & materials.

DESCR.	MAT.	spare
Body	C.S.	
Cover	A105N	
Gasket	SW	X
Studs	A193B7	
Nuts	A194 2H	
Screen	SS316L	x
Drain	A105N	
Vent	A105N	
Lifting eyes	C.S.	
Legs	C.S.	
Davit*	C.S.	
* optional		



CONNECTIONS	
Buttweld	Asme B16.25
Flanged	Asme b16.5



Size	1½"	2"	3"	4"	5"	6"	8"	10"	12"	14"	16"	18"	20"	24"
L 150 #	356	356	381	406	406	508	559	813	889	940	1067	1067	1092	1219
L 300#	356	356	381	406	445	553	584	838	914	965	1092	1092	1130	1264
H (mm)	205	205	205	300	300	432	533	635	711	838	914	991	1118	1524
H1 (mm)	205	205	250	370	370	600	650	650	700	750	800	850	900	1000
Kg	40.0	43.1	46.7	77.1	105	109	154	272	349	440	617	635	870	997

CDB Engineering reserve the right to carry out any necessary modification without prior notice