

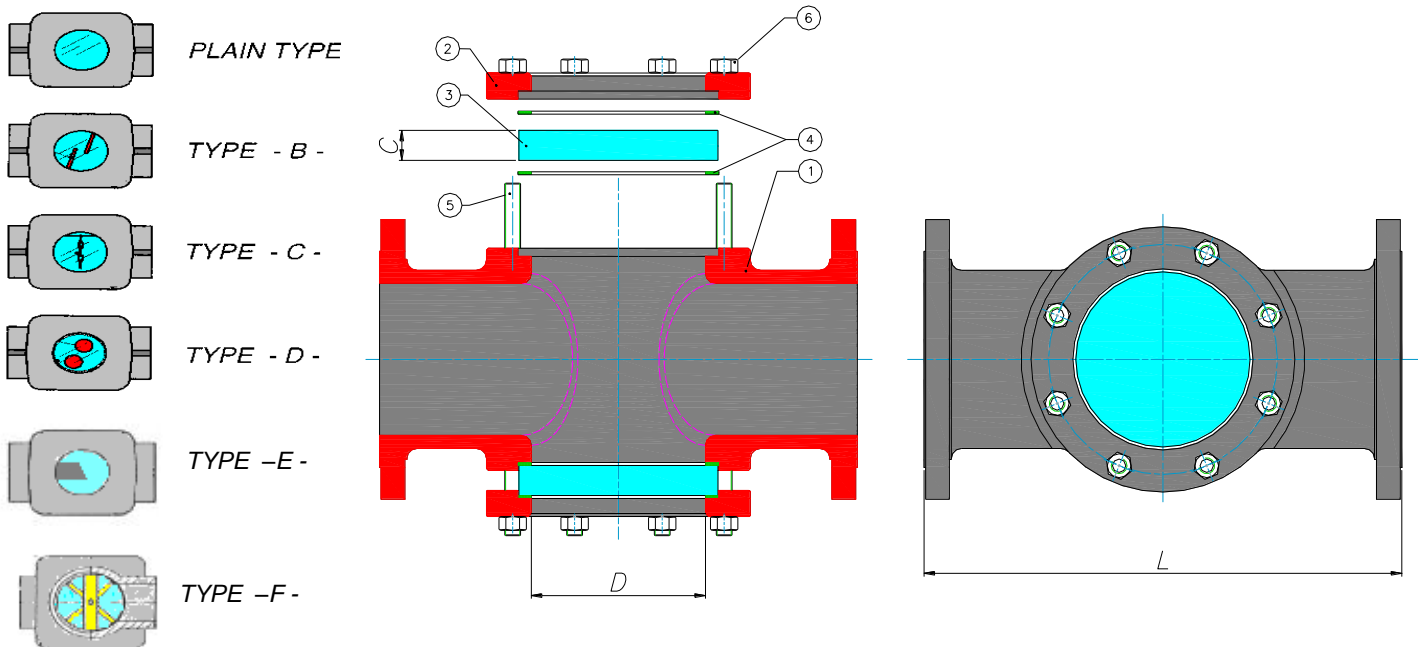


SIGHT GLASSES "SGC"

CDB engineering cast sight glasses are manufactured to visually inspect fluid in the pipeline, designed to meet all customer requirements including for high pressure applications.

Sight glasses may be supplied with various type of internal flow indicators for different type of industrial processes or different installation.

POS.	DESCR.	MAT.	MAT.	spare
1	Body	A216 wcb	A351 cf8m	
2	Flanges	A216 wcb	A351 cf8m	
3	GLASSES	**	**	X
4	GASKET	GRAPHITE	GRAPHITE	X
5	STUD BOLT	ASTM A193 B7	ASTM A193 B8	
6	NUTS	ASTM A194 2H	ASTM A194 Gr.8	



Flow indicator type:
Fixed flappers (B)
Spinner (F)
Floating balls(D)
Moving chain(C)
DRIP TUBE (E)

** Glasses	Design	Working	
Tempered glasses	200°C	180 °C	300h
Borosilicate glasses	320 °C	300°C	300h
Quartz glasses	425 °c	425 °c	300h

SIZE	L	D	C	Kg
½"	130	55	10	3
¾"	150	55	10	4
1"	160	55	10	5
1.¼"	180	65	12	6.5
1.½"	200	55	12	7.5
2"	230	65	15	11
2.½"	290	100	15	17
3"	310	100	20	25
4"	350	125	25	35
6"	480	175	30	80
8"	600	175	30	130
10"	730	175	30	170

connections	
flanged	Uni / din pn16-pn25-40
	Asme b16.5 150#-300#

CDB Engineering reserve the right to carry out any necessary modification without prior notice