

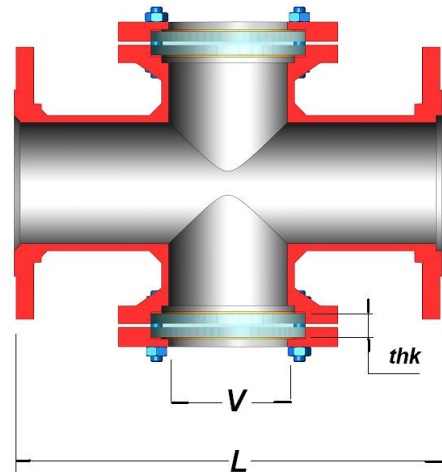
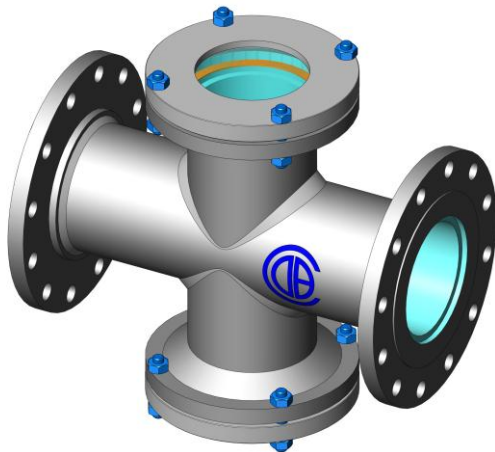
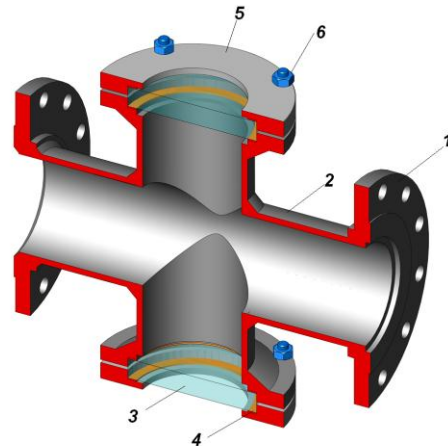


FABRICATED SIGHT GLASSES "SGW"

CDB engineering fabricated sight glasses are manufactured to visually inspect fluid in the pipeline, designed to meet all customer requirements including for high pressure applications.

Sight glasses may be supplied with various type of internal flow indicators for different type of industrial processes or different installation.

POS.	DESCR.	MAT.	MAT.	spare
1	FLANGE	A105N	SS304/316	
2	BODY	A106B	SS304/316	
3	GLASSES	TEMPERED	TEMPERED	X
4	GASKET	GRAPHITE	GRAPHITE	X
5	FLANGE	A105n	Ss304	
6	BOLTING	B7/2H	B8/Gr8	



Flow indicator type:
Fixed flappers
spinner
Floating balls
Moving chain

SIZE	L	V	Thk glasses	Kg
2"	230	40	12	15
3"	310	60	15	25
4"	350	80	18	35
6"	480	100	20	80
8"	600	150	25	95
10"	730	200	25	110
12"	800	250	30	140

Max Work temperature	
Tempered glasses	180 °C
Borosilicate glasses	300 °C

connections	
flanged	Uni / din Asme b16.5

CDB Engineering reserve the right to carry out any necessary modification without prior notice